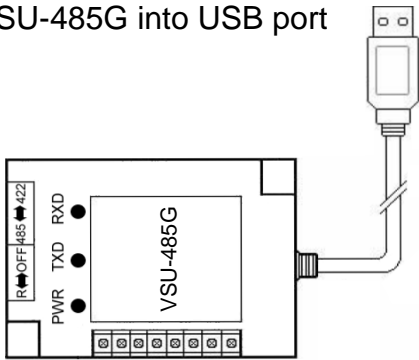


STEP 1

Connect Converter



Plug VSU-485G into USB port



STEP 2

Install USB Driver for Windows®

Your computer system will ask you for the device driver location. Please point to the location of the driver file on the CD-Rom or download the driver from www.virtualscada.com. Your computer system will update the driver list and install the USB converter automatically. A new virtual com port will now be available on your PC.

To check if the USB driver is installed successfully, please follow these steps:

- Go to your computer's Control Panel
- Click on System
- Click on Hardware
- Click on Device Manager
- Click on Ports (COM & LPT)
- Next unplug the USB device you just installed. If one of the communication port(s) disappears under the Port (COM & LPT), then the driver has been installed successfully.

Make sure to write down which communication port is used by the USB converter.

STEP 3

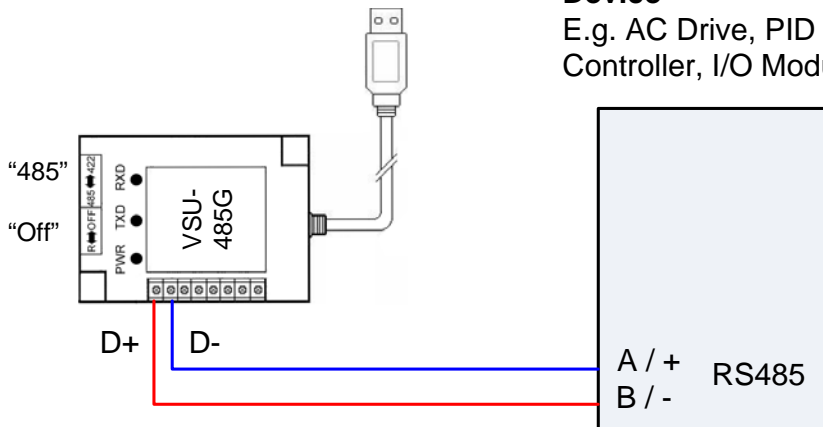
Connect Device



RS485 Network Single Device (RS485)

Device

E.g. AC Drive, PID Controller, I/O Module, ...



RS485 Network Single Device (RS422)

Device

E.g. AC Drive, PID Controller, I/O Module, ...

