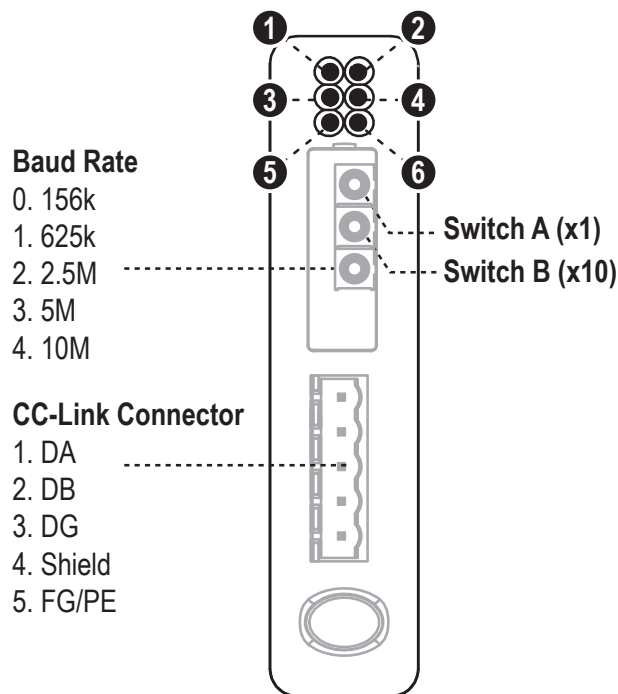


Module Front



LED Indicators

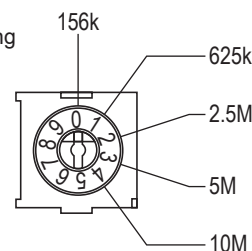
LED no	Indication	Meaning
1 (ERRL)	Red Off	CRC error; illegal station number or baudrate Normal operation
2 (RDLED)	Green Off	Receiving data Not receiving data
3 (RUN)	Green Off	Normal operation No network connection or timeout (or no power)
4 (SDLED)	Green Off	Transmitting data No data transmission (or no power)
5 (Subnet Status)	Flashing green Green Red	Running, but one or more transaction errors Running Stopped
6 (Device Status)	Off Alternating red/green Green Flashing green Red Flashing red	Power off Invalid or missing configuration Initializing Running Bootloader mode Note the flash sequence pattern and contact the HMS support department

Configuration Switches (A and B)

Set the CC-Link station number by using the switches as follows:  
 Station number = (switch B \* 10) + (switch A \* 1)

Baud Rate

Choose the desired baud rate using the baud rate switch.



CC-Link Connector

Pin no	Description
1	DA (Communication signal)
2	DB (Communication signal)
3	DG (Digital ground)
4	Shield (Cable shield)
5	FG / PE (Frame ground)

Bottom View

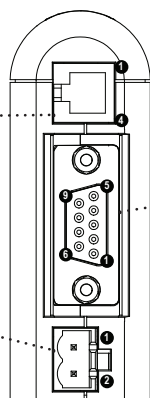
PC Connector:

- 1. GND
- 2. GND
- 3. RS232 Rx
- 4. RS232 Tx

Subnetwork Connector

Pin no.	Description
1	+5V OUT
2	RS232 Rx
3	RS232 Tx
4	NC
5	Signal GND
6	RS422 Rx+
7	RS422 Rx-
8	RS485+ / RS422 Tx+
9	RS485- / RS422 Tx-

Power:  
 1. +24 V DC  
 2. GND



Accessories Checklist

The following items are required for installation:

- Anybus Communicator Resource CD (Includes configuration software, manuals and application notes)
- RS232 configuration cable
- Subnetwork connector
- CC-Link network cable and connector (not included)

Installation and Startup Summary

- Mount the Communicator on the DIN-rail.
- Connect the Communicator to the CC-Link network.
- Connect the module to the subnetwork.
- Connect the configuration cable between the module and the PC containing the Anybus Configuration Manager software.
- Turn on the module (+24 V DC).
- Configure the module using Anybus Configuration Manager.
- Include the Anybus Communicator GSD file in the CC-Link configuration tool.
- Configure and start the CC-Link network.

Further information and documents about this product can be found at the product pages on [www.anybus.com](http://www.anybus.com).

**UL Certification**



IND: CONT. EQ.  
FOR HAZ LOC.  
CL I, DIV 2  
GP A,B,C,D  
TEMP  
CODE  
E203225

**Warnings**

- **WARNING - EXPLOSION HAZARD - SUBSTITUTION OF ANY COMPONENTS MAY IMPAIR SUITABILITY FOR CLASS I, DIVISION 2.**
- **WARNING - EXPLOSION HAZARD - WHEN IN HAZARDOUS LOCATIONS, TURN OFF POWER BEFORE REPLACING OR WIRING MODULES.**
- **WARNING - EXPLOSION HAZARD - DO NOT DISCONNECT EQUIPMENT UNLESS POWER HAS BEEN SWITCHED OFF OR THE AREA IS KNOWN TO BE NONHAZARDOUS.**

**Additional installation and operating instructions**

Max Ambient Temperature: 55°C (for Hazloc environments)

Field wiring terminal markings (wire type (Cu only, 14-30 AWG)).

Use 60/75 or 75°C copper (Cu) wire only.

Terminal tightening torque must be between 5-7 lb-in (0.5 - 0.8 Nm).

Use in overvoltage category 1 pollution degree 2 environment.

Installed in an enclosure considered representative of the intended use.

Secondary circuit intended to be supplied from an isolating source and protected by overcurrent protective devices installed in the field sized per the following:

Control-circuit Wire Size		Maximum Protective Device Rating
AWG	(mm <sup>2</sup> )	Amperes
22	(0.32)	3
20	(0.52)	5
18	(0.82)	7
16	(1.3)	10
14	(2.1)	20
12	(3.3)	25

**EMC Compliance (CE)**



This product is in accordance with the EMC directive 89/336/EEC, with amendments 92/31/EEC and 93/68/EEC through conformance with the following standards:

- **EN 50082-2 (1993)**  
EN 55011 (1990) Class A
- **EN 61000-6-2 (1999)**  
EN 61000-4-3 (1996) 10 V/m  
EN 61000-4-6 (1996) 10 V/m (all ports)  
EN 61000-4-2 (1995) ±8 kV Air Discharge  
±4 kV Contact discharge  
EN 61000-4-4 (1995) ±2 kV Power port  
±1 kV Other ports  
EN 61000-4-5 (1995) ±0.5 kV Power ports (DM/CM)  
±1 kV Signal ports

Further information and documents about this product can be found at the product pages on [www.anybus.com](http://www.anybus.com).