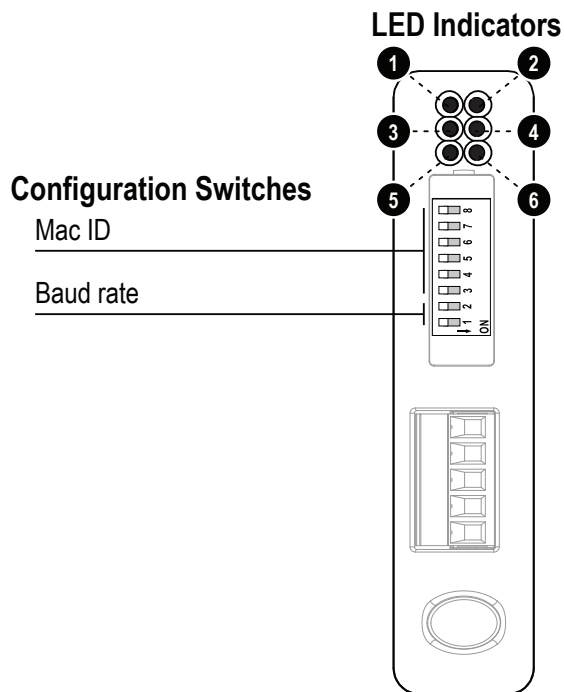


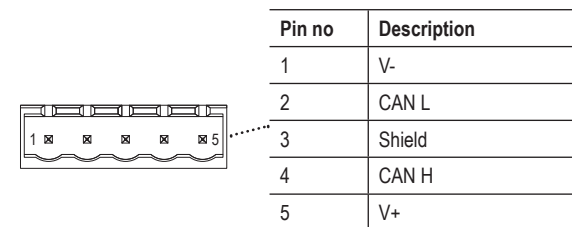
Module Front



LED Indicators

LED no	Indication	Meaning
1 (Network Status)	Off	Not online
	Green	Link ok, online, connected
	Flashing green	Online, not connected
	Red	Critical link failure
	Flashing red	Connection timeout
2 (Module Status)	Off	No power
	Green	Device operational
	Flashing green	Data size bigger than configured
	Red	Unrecoverable fault
	Flashing red	Minor fault
3, 4 (Not used)	-	-
5 (Subnet Status)	Flashing green	Running, but one or more transaction errors
	Green	Running
	Red	Transaction error/timeout or subnet stopped
	Flashing red	Transaction error/timeout or subnet stopped
6 (Device Status)	Off	Power off
	Alternating red/green	Invalid or missing configuration
	Green	Initializing
	Flashing green	Running
	Red	Bootloader mode
Flashing red	Note the flash sequence pattern and contact the HMS support department	

DeviceNet Connector



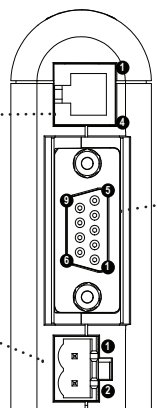
Configuration Switches

Baud rate	Sw. 1	Sw. 2
125k	OFF	OFF
250k	OFF	ON
500k	ON	OFF
(reserved)	ON	ON

Bottom View

PC Connector:

- 1. GND
- 2. GND
- 3. RS232 Rx
- 4. RS232 Tx



Power:

- 1. +24 V DC
- 2. GND

Subnetwork Connector

Pin no.	Description
1	+5V OUT
2	RS232 Rx
3	RS232 Tx
4	NC
5	Signal GND
6	RS422 Rx+
7	RS422 Rx-
8	RS485+ / RS422 Tx+
9	RS485- / RS422 Tx-

Mac ID	Sw. 3	Sw. 4	Sw. 5	Sw. 6	Sw. 7	Sw. 8
0	OFF	OFF	OFF	OFF	OFF	OFF
1	OFF	OFF	OFF	OFF	OFF	ON
2	OFF	OFF	OFF	OFF	ON	OFF
3 - 62
63	ON	ON	ON	ON	ON	ON

Accessories Checklist

The following items are required for installation:

- Anybus Communicator Resource CD (Includes configuration software, manuals, EDS file and application notes)
- RS232 configuration cable
- Subnetwork connector
- DeviceNet network cable and connector (not included)

Installation and Startup Summary

- Mount the Communicator on the DIN-rail.
- Connect the Communicator to the DeviceNet network.
- Connect the module to the subnetwork.
- Turn on the module (+24 V DC).
- Connect the configuration cable between the module and the PC containing the Anybus Configuration Manager software.
- Configure the module using Anybus Configuration Manager.
- Include the Anybus Communicator EDS file in the DeviceNet configuration tool.
- Configure and start the DeviceNet network.

Further information and documents about this product can be found at the product pages on www.anybus.com.

UL Certification



IND: CONT. EQ.
FOR HAZ LOC.
CL I, DIV 2
GP A,B,C,D
TEMP
CODE
E203225

Warnings

- **WARNING - EXPLOSION HAZARD - SUBSTITUTION OF ANY COMPONENTS MAY IMPAIR SUITABILITY FOR CLASS I, DIVISION 2.**
- **WARNING - EXPLOSION HAZARD - WHEN IN HAZARDOUS LOCATIONS, TURN OFF POWER BEFORE REPLACING OR WIRING MODULES.**
- **WARNING - EXPLOSION HAZARD - DO NOT DISCONNECT EQUIPMENT UNLESS POWER HAS BEEN SWITCHED OFF OR THE AREA IS KNOWN TO BE NONHAZARDOUS.**

Additional installation and operating instructions

Max Ambient Temperature: 55°C (for Hazloc environments)

Field wiring terminal markings (wire type (Cu only, 14-30 AWG)).

Use 60/75 or 75°C copper (Cu) wire only.

Terminal tightening torque must be between 5-7 lb-in (0.5 - 0.8 Nm).

Use in overvoltage category 1 pollution degree 2 environment.

Installed in an enclosure considered representative of the intended use.

Secondary circuit intended to be supplied from an isolating source and protected by overcurrent protective devices installed in the field sized per the following:

Control-circuit Wire Size		Maximum Protective Device Rating
AWG	(mm ²)	Amperes
22	(0.32)	3
20	(0.52)	5
18	(0.82)	7
16	(1.3)	10
14	(2.1)	20
12	(3.3)	25

EMC Compliance (CE)



This product is in accordance with the EMC directive 89/336/EEC, with amendments 92/31/EEC and 93/68/EEC through conformance with the following standards:

- **EN 50082-2 (1993)**
EN 55011 (1990) Class A
- **EN 61000-6-2 (1999)**
EN 61000-4-3 (1996) 10 V/m
EN 61000-4-6 (1996) 10 V/m (all ports)
EN 61000-4-2 (1995) ±8 kV Air Discharge
±4 kV Contact discharge
EN 61000-4-4 (1995) ±2 kV Power port
±1 kV Other ports
EN 61000-4-5 (1995) ±0.5 kV Power ports (DM/CM)
±1 kV Signal ports

Further information and documents about this product can be found at the product pages on www.anybus.com.