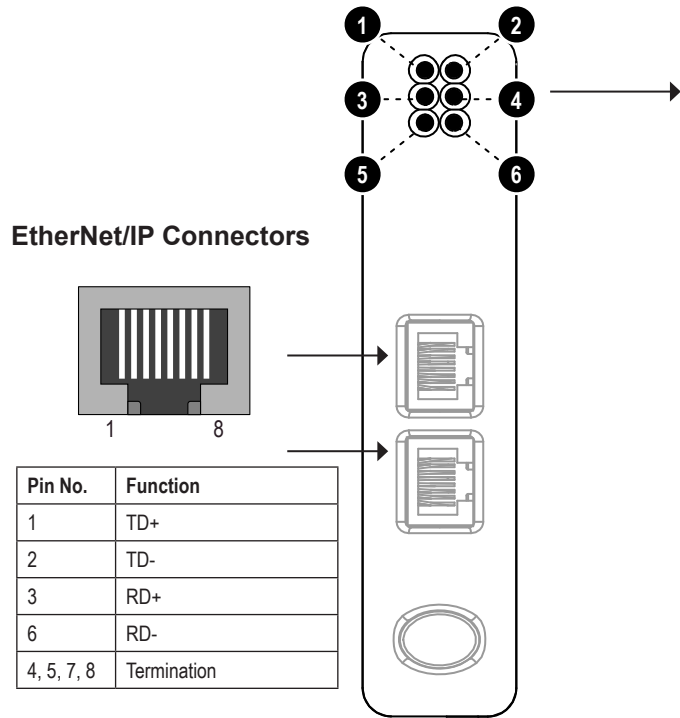


Module Front



LED Indicators

LED	Indication	Description
1 (Module Status)	Off Green Flashing Green  Flashing Red Red Flashing Green/Red	No power Controlled by a scanner in run state Not configured, or scanner in idle state  Minor fault (recoverable) Major fault (unrecoverable) Self-test in progress
2 (Network Status)	Off Green  Flashing Green  Red Flashing Red Flashing Green/Red	No IP address, or no power Online, one or more EtherNet/IP connections established Online, no connections established  Duplicate IP address detected. Fatal error. One or more connections timed out Self-test in progress
3 (Link)	Off Green	No link Connected to an Ethernet network
4 (Activity)	Off Flashing Green	No Ethernet activity Activity, receiving/transmitting Ethernet packets
5 (Subnet Status)	Flashing green Green Red	Running, but one or more transaction errors Running Transaction error/timeout or subnet stopped
6 (Device Status)	Off Alternating red/green Green Flashing green Red Flashing red	Power off Invalid or missing configuration Initializing Running Bootloader mode Note the flash sequence pattern and contact HMS support

Checklist

The following items are required for installation:

- Anybus Communicator Resource CD (Includes configuration software, manuals, EDS file and application notes)
- RS-232 configuration cable
- Sub-network connector
- Ethernet cable and connector (not included)

Installation and Startup Summary

1. Mount the Communicator on the DIN-rail.
2. Connect the Communicator to the EtherNet/IP network.
3. Connect the module to the sub-network.
4. Power on the module (+24 V DC).
5. Connect the configuration cable between the module and the PC running the Anybus Configuration Manager software.
6. Configure the module using Anybus Configuration Manager.
7. Include the Anybus Communicator EDS file in the EtherNet/IP configuration tool.
8. Configure and start the EtherNet/IP network.

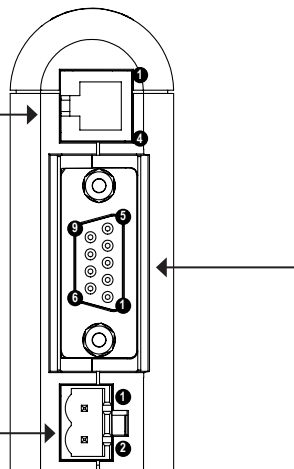
Bottom View

PC Connector:

1. GND
2. GND
3. RS232 Rx
4. RS232 Tx

Power:

1. +24 VDC
2. GND



Sub-network Connector

Pin No.	Description
1	+5V OUT
2	RS-232 Rx
3	RS-232 Tx
4	NC
5	Signal GND
6	RS-422 Rx+
7	RS-422 Rx-
8	RS485+ / RS422 Tx+
9	RS485- / RS422 Tx-

Further information and documents about this product can be found at the product pages on [www.anybus.com](http://www.anybus.com).

UL Certification



IND: CONT. EQ.  
FOR HAZ LOC.  
CL I, DIV 2  
GP A,B,C,D  
TEMP  
CODE  
E203225

Warnings!

- **WARNING - EXPLOSION HAZARD - SUBSTITUTION OF ANY COMPONENTS MAY IMPAIR SUITABILITY FOR CLASS I, DIVISION 2.**
- **WARNING - EXPLOSION HAZARD - WHEN IN HAZARDOUS LOCATIONS, TURN OFF POWER BEFORE REPLACING OR WIRING MODULES.**
- **WARNING - EXPLOSION HAZARD - DO NOT DISCONNECT EQUIPMENT UNLESS POWER HAS BEEN SWITCHED OFF OR THE AREA IS KNOWN TO BE NON-HAZARDOUS.**

Attention!

- **ATTENTION – RISQUE D’EXPLOSION – LE REMPLACEMENT DE TOUT COMPOSANTS INVALIDE LA CERTIFICATION CLASS I, DIVISION 2.**
- **ATTENTION – RISQUE D’EXPLOSION – EN ZONE EXPLOSIVE, VEUILLEZ COUPER L’ALIMENTATION ÉLECTRIQUE AVANT LE REMPLACEMENT OU LE RACCORDEMENT DES MODULES.**
- **ATTENTION – RISQUE D’EXPLOSION – NE PAS DÉCONNECTER L’ÉQUIPEMENT TANT QUE L’ALIMENTATION EST TOUJOURS PRÉSENTE OU QUE LE PRODUIT EST TOUJOURS EN ZONE EXPLOSIVE ACTIVE.**

Additional installation and operating instructions

- Max Ambient Temperature: 55°C (for Hazloc environments)
- Field wiring terminal markings (wire type (Cu only, 14-30 AWG)).
- Use 60/75 or 75°C copper (Cu) wire only.
- Terminal tightening torque must be 5-7 lb-in (0.5 - 0.8 Nm).
- Use in overvoltage category 1 pollution degree 2 environment.
- Installed in an enclosure considered representative of the intended use.
- Secondary circuit intended to be supplied from an isolating source and protected by overcurrent protective devices installed in the field sized per the following:

Control Circuit Wire Size		Maximum Protective Device Rating
AWG	(mm <sup>2</sup> )	Amperes
22	(0.32)	3
20	(0.52)	5
18	(0.82)	7
16	(1.3)	10
14	(2.1)	20
12	(3.3)	25

EMC Compliance (CE)



This product is in accordance with the EMC directive 89/336/EEC, with amendments 92/31/EEC and 93/68/EEC through conformance with the following standards:

- **EN 50082-2 (1993)**  
EN 55011 (1990) Class A
- **EN 61000-6-2 (1999)**  
EN 61000-4-3 (1996) 10 V/m  
EN 61000-4-6 (1996) 10 V/m (all ports)  
EN 61000-4-2 (1995) ±8 kV Air Discharge  
±4 kV Contact discharge  
EN 61000-4-4 (1995) ±2 kV Power port  
±1 kV Other ports  
EN 61000-4-5 (1995) ±0.5 kV Power ports (DM/CM)  
±1 kV Signal ports

Further information and documents about this product can be found at the product pages on [www.anybus.com](http://www.anybus.com).