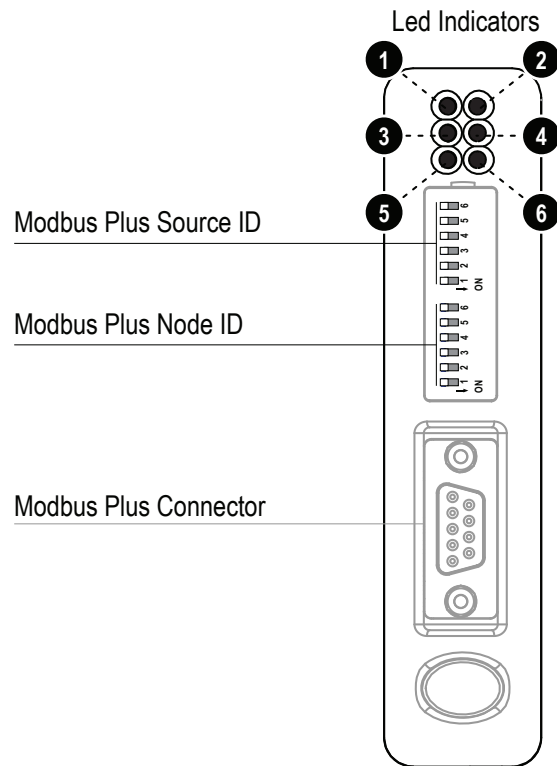


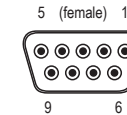
Module Front



LED Indicators

LED no	Indication	Meaning
1 (Error)	Red	Communication error
2 (Active)	Green, flash every 160 ms Green, flash every 1 s Green, two flashes Green, three flashes Green, four flashes	Normal operation MONITOR_OFFLINE state MAC_IDLE never-getting-token state Not detecting any other nodes Duplicate node ID detected
3 (Not used)	-	-
4 (Init)	Green	Peer interface initialized
5 (Subnet Status)	Flashing green Green Red	Running, one or more transaction errors Running Transaction error/timeout or subnet stopped
6 (Device Status)	Off Alternating red/green Green Flashing green Red Flashing red	Power off Invalid or missing configuration Initializing Running Bootloader mode Note the flash sequence pattern and contact the HMS support department

Modbus Plus Connector



Pin no	Description
Housing	Protective Earth (PE)
1	Shield
2	Line B
3	Line A
4 - 9	NC (do not connect)

Accessories Checklist

The following items are required for installation:

- Anybus Communicator Resource CD (Includes configuration software, manuals and application notes)
- RS232 configuration cable
- Subnetwork connector
- Modbus Plus network cable and connector (not included)

Installation and Startup Summary

- Mount the Communicator on the DIN-rail.
- Connect the Communicator to the Modbus Plus network.
- Connect the Communicator to the subnetwork.
- Power on the Communicator (+24 V DC).
- Connect the configuration cable between the Communicator and the PC containing the Anybus Configuration Manager software (ACM).
- Configure the Communicator using ACM.
- Configure and start the Modbus Plus network.

Configuration Switches

Modbus Plus Source ID	Sw. 1	Sw. 2	Sw. 3	Sw. 4	Sw. 5	Sw. 6
1	ON	ON	ON	ON	ON	ON
2	ON	ON	ON	ON	ON	OFF
3	ON	ON	ON	ON	OFF	ON
4 - 62
63	OFF	OFF	OFF	OFF	OFF	ON
64	OFF	OFF	OFF	OFF	OFF	OFF

Modbus Plus Node ID	Sw. 1	Sw. 2	Sw. 3	Sw. 4	Sw. 5	Sw. 6
1	ON	ON	ON	ON	ON	ON
2	ON	ON	ON	ON	ON	OFF
3	ON	ON	ON	ON	OFF	ON
4 - 62
63	OFF	OFF	OFF	OFF	OFF	ON
64	OFF	OFF	OFF	OFF	OFF	OFF

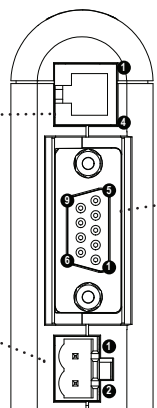
Bottom View

PC Connector:

1. GND
2. GND
3. RS232 Rx
4. RS232 Tx

Power:

1. +24 V DC
2. GND



Subnetwork Connector

Pin no.	Description
1	+5V OUT
2	RS232 Rx
3	RS232 Tx
4	NC
5	Signal GND
6	RS422 Rx+
7	RS422 Rx-
8	RS485+ / RS422 Tx+
9	RS485- / RS422 Tx-

UL Certification



IND: CONT. EQ.
FOR HAZ LOC.
CL I, DIV 2
GP A,B,C,D
TEMP
CODE
E203225

Warnings

- **WARNING - EXPLOSION HAZARD - SUBSTITUTION OF ANY COMPONENTS MAY IMPAIR SUITABILITY FOR CLASS I, DIVISION 2.**
- **WARNING - EXPLOSION HAZARD - WHEN IN HAZARDOUS LOCATIONS, TURN OFF POWER BEFORE REPLACING OR WIRING MODULES.**
- **WARNING - EXPLOSION HAZARD - DO NOT DISCONNECT EQUIPMENT UNLESS POWER HAS BEEN SWITCHED OFF OR THE AREA IS KNOWN TO BE NONHAZARDOUS.**

Attention!

- **ATTENTION – RISQUE D’EXPLOSION – LE REMPLACEMENT DE TOUT COMPOSANTS INVALIDE LA CERTIFICATION CLASS I, DIVISION 2.**
- **ATTENTION – RISQUE D’EXPLOSION – EN ZONE EXPLOSIVE, VEUILLEZ COUPER L’ALIMENTATION ÉLECTRIQUE AVANT LE REMPLACEMENT OU LE RACCORDEMENT DES MODULES.**
- **ATTENTION – RISQUE D’EXPLOSION – NE PAS DÉCONNECTER L’ÉQUIPEMENT TANT QUE L’ALIMENTATION EST TOUJOURS PRÉSENTE OU QUE LE PRODUIT EST TOUJOURS EN ZONE EXPLOSIVE ACTIVE.**

Additional installation and operating instructions

Max Ambient Temperature: 55°C (for Hazloc environments)

Field wiring terminal markings (wire type (Cu only, 14-30 AWG)).

Use 60/75 or 75°C copper (Cu) wire only.

Terminal tightening torque must be between 5-7 lb-in (0.5 - 0.8 Nm).

Use in overvoltage category 1 pollution degree 2 environment.

Installed in an enclosure considered representative of the intended use.

Secondary circuit intended to be supplied from an isolating source and protected by overcurrent protective devices installed in the field sized per the following:

Control-circuit Wire Size		Maximum Protective Device Rating
AWG	(mm ²)	Amperes
22	(0.32)	3
20	(0.52)	5
18	(0.82)	7
16	(1.3)	10
14	(2.1)	20
12	(3.3)	25

EMC Compliance (CE)



This product is in accordance with the EMC directive 89/336/EEC, with amendments 92/31/EEC and 93/68/EEC through conformance with the following standards:

- **EN 50082-2 (1993)**
EN 55011 (1990) Class A
- **EN 61000-6-2 (1999)**
EN 61000-4-3 (1996) 10 V/m
EN 61000-4-6 (1996) 10 V/m (all ports)
EN 61000-4-2 (1995) ±8 kV Air Discharge
±4 kV Contact discharge
EN 61000-4-4 (1995) ±2 kV Power port
±1 kV Other ports
EN 61000-4-5 (1995) ±0.5 kV Power ports (DM/CM)
±1 kV Signal ports

Further information and documents about this product can be found at the product pages on www.anybus.com.