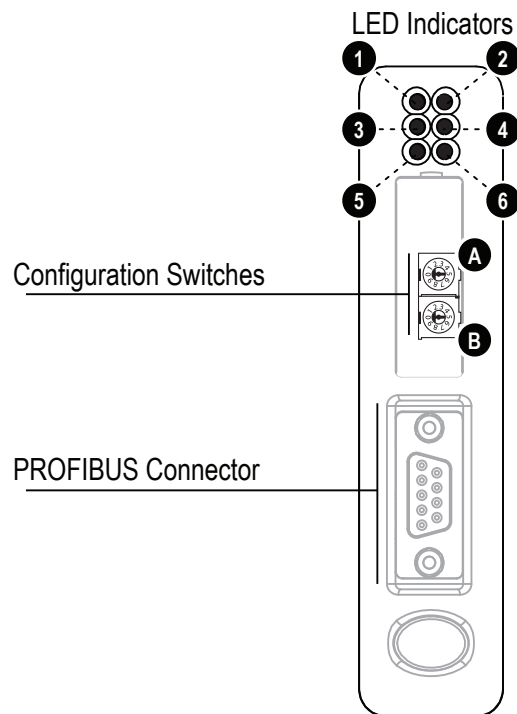


Module Front



LED Indicators

LED no	Indication	Meaning
1 (Online)	Green Off	Online Not online
2 (Offline)	Red Off	Offline Not offline
3 (Not used)	-	-
4 (Fieldbus Diagnostics)	Off Red, flashing 1Hz Red, flashing 2Hz Red, flashing 4Hz	No diagnostics present Configuration error User parameter data error Initialization error
5 (Subnet Status)	Flashing green Green Red	Running, but one or more transaction errors Running Transaction error/timeout or subnet stopped
6 (Device Status)	Off Alternating red/green Green Flashing green Red Flashing red	Power off Invalid or missing configuration Initializing Running Bootloader mode Note the flash sequence pattern and contact the HMS support department

Accessories Checklist

The following items are required for installation:

- Anybus Communicator Resource CD (Includes configuration software, manuals, GSD file and application notes)
- RS232 configuration cable
- Subnetwork connector
- PROFIBUS network cable and connector (not included)

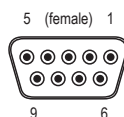
Installation and Startup Summary

- Mount the Communicator on the DIN-rail.
- Connect the Communicator to the PROFIBUS network.
- Connect the module to the subnetwork.
- Turn on the module (+24 V DC).
- Connect the configuration cable between the module and the PC containing the Anybus Configuration Manager software.
- Configure the module using Anybus Configuration Manager.
- Include the Anybus Communicator GSD file in the PROFIBUS configuration tool.
- Configure and start the PROFIBUS network.

Configuration Switches A B

Set the PROFIBUS node address by using the switches as follows:
Node address = (switch B * 10) + (switch A * 1)

PROFIBUS Connector

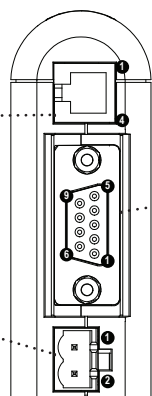


Pin no	Description
1	Shield
3	B-line
4	RTS
5	GND bus
6	+5V bus out
8	A-line
2, 7, 9	NC

Bottom View

PC Connector:

1. GND
2. GND
3. RS232 Rx
4. RS232 Tx



Power:

1. +24 V DC
2. GND

Subnetwork Connector

Pin no.	Description
1	+5V OUT
2	RS232 Rx
3	RS232 Tx
4	NC
5	Signal GND
6	RS422 Rx+
7	RS422 Rx-
8	RS485+ / RS422 Tx+
9	RS485- / RS422 Tx-

Further information and documents about this product can be found at the product pages on www.anybus.com.

UL Certification



IND: CONT. EQ.
FOR HAZ LOC.
CL I, DIV 2
GP A,B,C,D
TEMP
CODE
E203225

Warnings

- **WARNING - EXPLOSION HAZARD - SUBSTITUTION OF ANY COMPONENTS MAY IMPAIR SUITABILITY FOR CLASS I, DIVISION 2.**
- **WARNING - EXPLOSION HAZARD - WHEN IN HAZARDOUS LOCATIONS, TURN OFF POWER BEFORE REPLACING OR WIRING MODULES.**
- **WARNING - EXPLOSION HAZARD - DO NOT DISCONNECT EQUIPMENT UNLESS POWER HAS BEEN SWITCHED OFF OR THE AREA IS KNOWN TO BE NONHAZARDOUS.**

Additional installation and operating instructions

Max Ambient Temperature: 55°C (for Hazloc environments)

Field wiring terminal markings (wire type (Cu only, 14-30 AWG)).

Use 60/75 or 75°C copper (Cu) wire only.

Terminal tightening torque must be between 5-7 lb-in (0.5 - 0.8 Nm).

Use in overvoltage category 1 pollution degree 2 environment.

Installed in an enclosure considered representative of the intended use.

Secondary circuit intended to be supplied from an isolating source and protected by overcurrent protective devices installed in the field sized per the following:

Control-circuit Wire Size		Maximum Protective Device Rating
AWG	(mm ²)	Amperes
22	(0.32)	3
20	(0.52)	5
18	(0.82)	7
16	(1.3)	10
14	(2.1)	20
12	(3.3)	25

EMC Compliance (CE)



This product is in accordance with the EMC directive 89/336/EEC, with amendments 92/31/EEC and 93/68/EEC through conformance with the following standards:

- **EN 50082-2 (1993)**
EN 55011 (1990) Class A
- **EN 61000-6-2 (1999)**
EN 61000-4-3 (1996) 10 V/m
EN 61000-4-6 (1996) 10 V/m (all ports)
EN 61000-4-2 (1995) ±8 kV Air Discharge
±4 kV Contact discharge
EN 61000-4-4 (1995) ±2 kV Power port
±1 kV Other ports
EN 61000-4-5 (1995) ±0.5 kV Power ports (DM/CM)
±1 kV Signal ports

Further information and documents about this product can be found at the product pages on www.anybus.com.